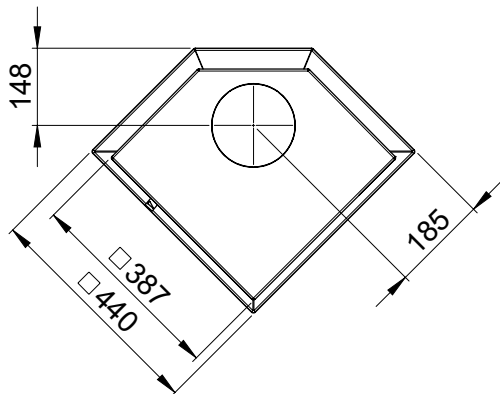
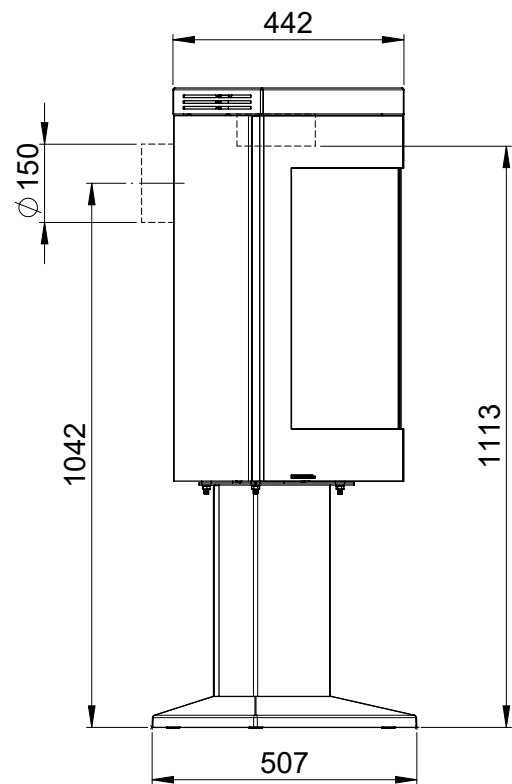
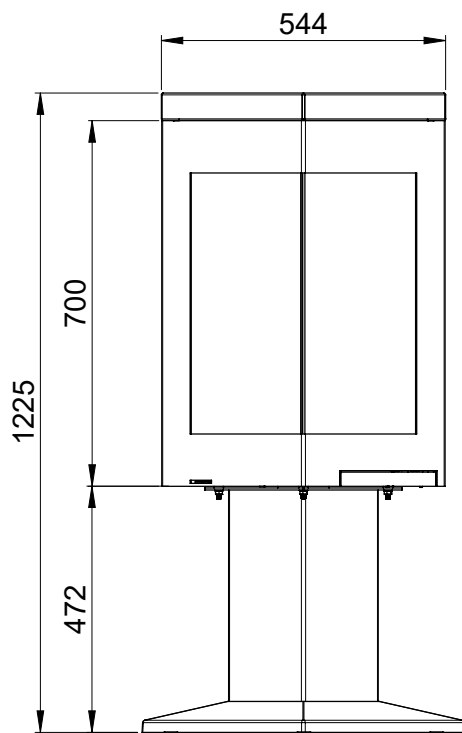


# Measurements

QUADRO BASIC

 Nordpeis

QUADRO 1 BASIC = MM

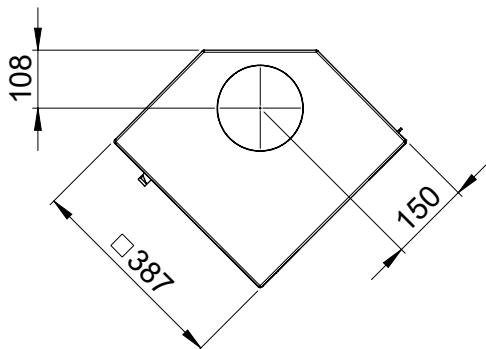
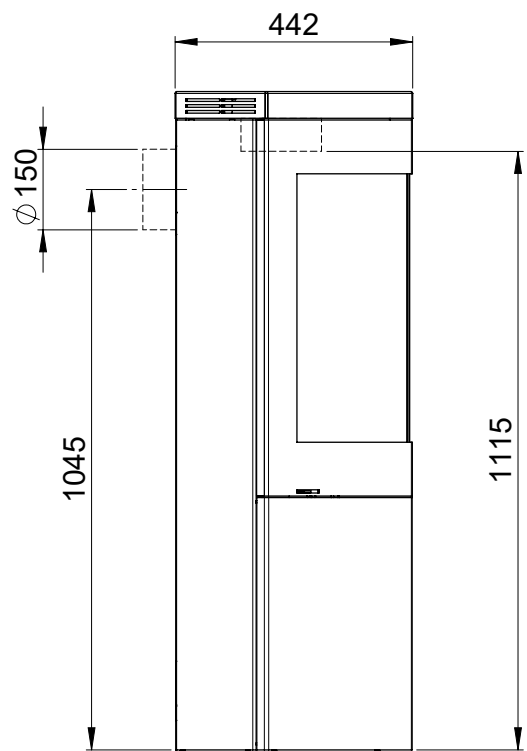
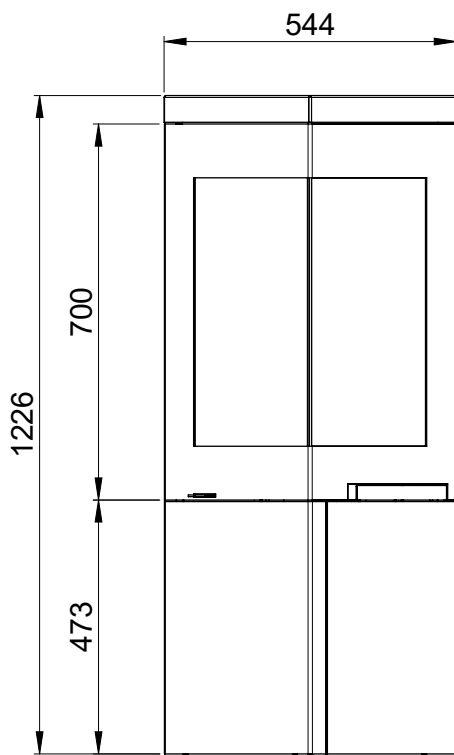


# Measurements

QUADRO BASIC

 Nordpeis

QUADRO 2 BASIC = MM

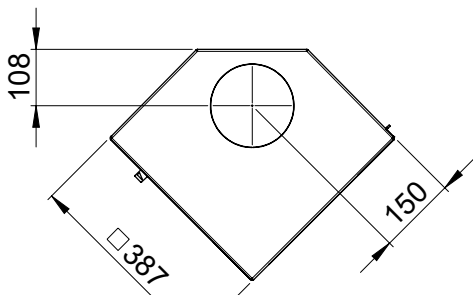
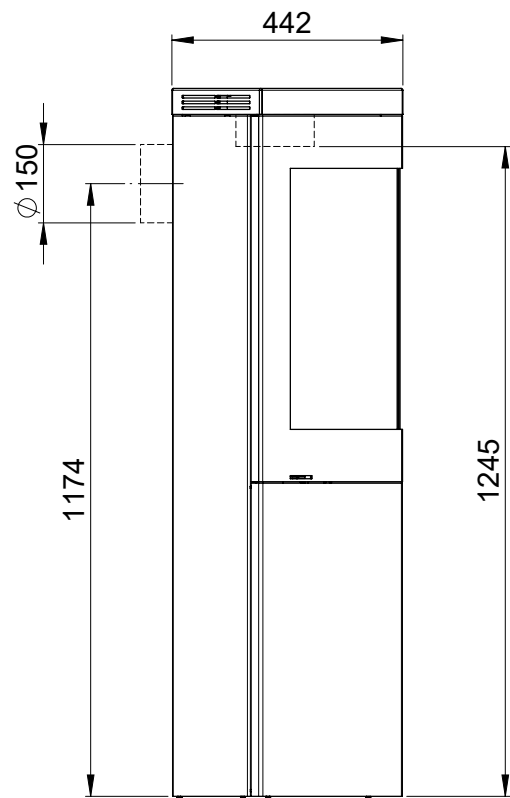
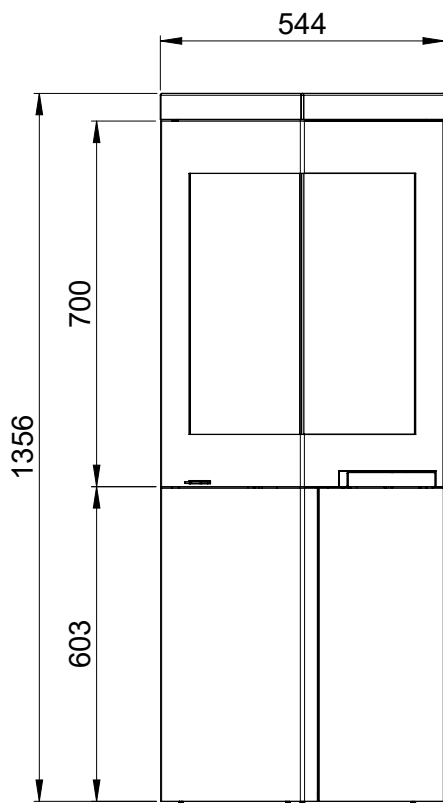


# Measurements

QUADRO BASIC



QUADRO 3 BASIC = MM



# Measurements

QUADRO BASIC

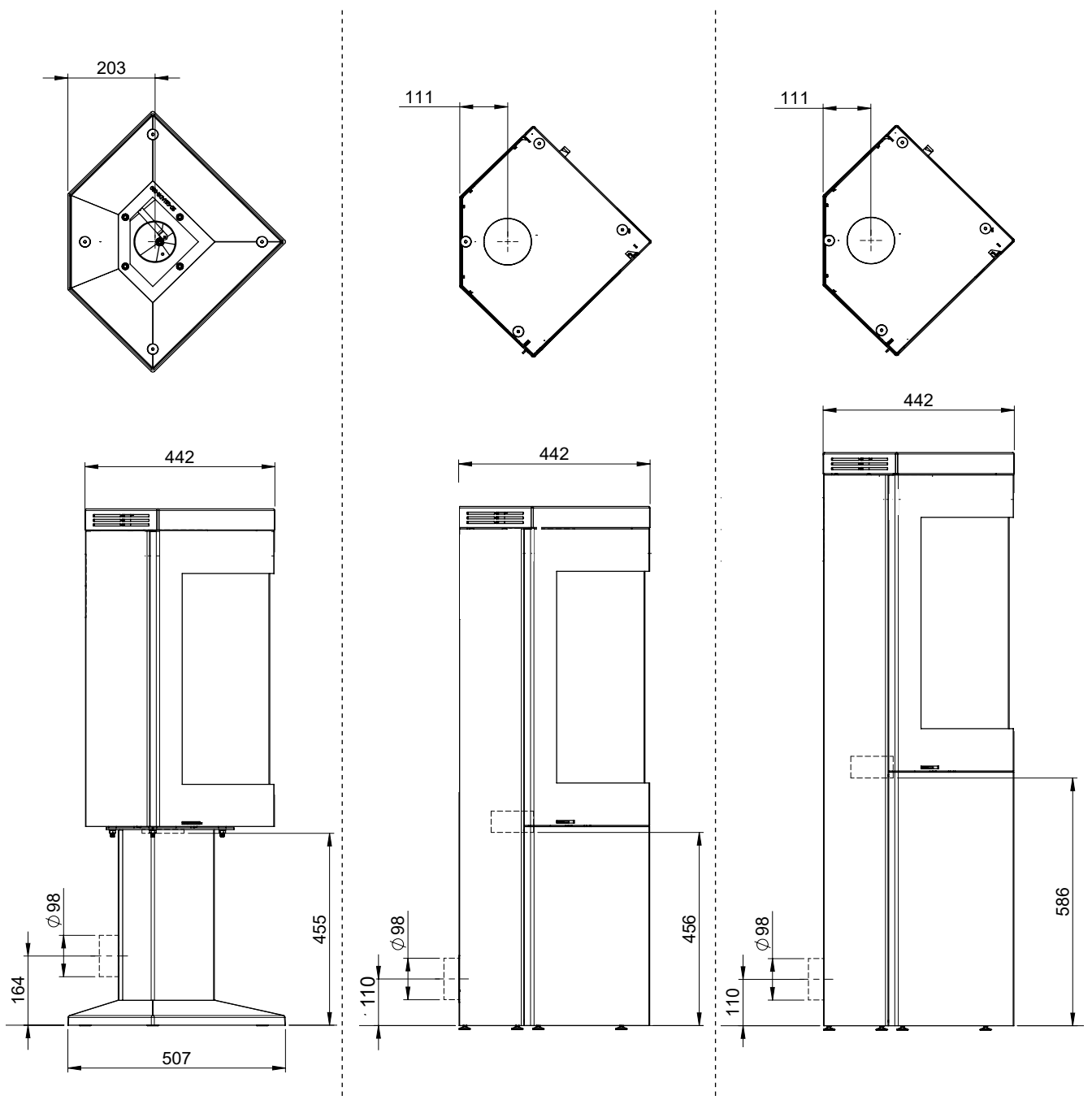
 Nordpeis

QUADRO AIR

QUADRO 1

QUADRO 2

QUADRO 3



# Measurements

QUADRO BASIC

 Nordpeis

## QUADRO HIGH TOP - CHIMNEY CONNECTION

